

FT66H

Features

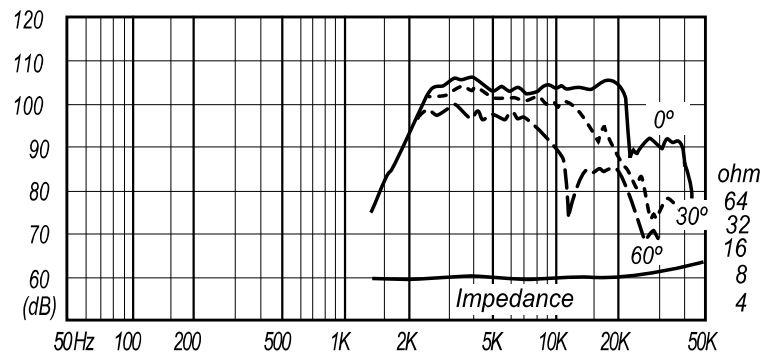
- ◆ Ring diaphragm Tweeter
- ◆ 8 ohm impedance
- ◆ 2.5kHz to 22kHz frequency response
- ◆ 105dB sensitivity at 1W/1m (3.3ft)
- ◆ 1.15kg (2.54 lb) net weight



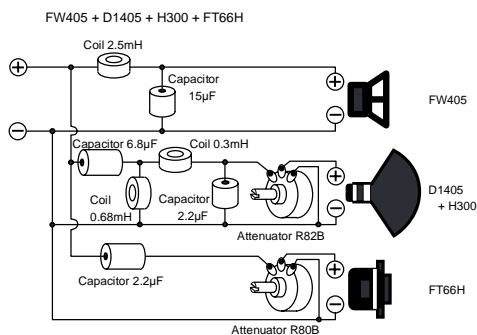
Specifications

Impedance	: 8 ohm
Reproduction Frequency Response	: 2.5kHz - 22kHz
S.P.L.	: 105dB/W (m)
Music Power	: 70W
Cutoff Frequency	: 2.3kHz
Recommended Cross-over Frequency	: more than 3.5kHz
Magnet (alnico)Weight	: 100g (0.22 lb)
Net Weight	: 1.15kg (2.54 lb)

Frequency Response / Impedance



Configuration Example



Dimensions & Mounting Information

